

TECHNICAL DATA SHEET

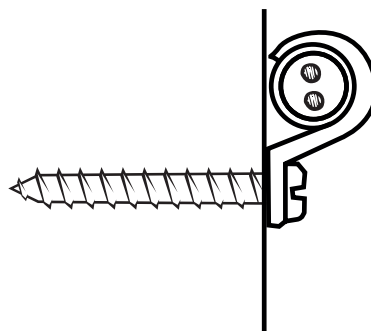
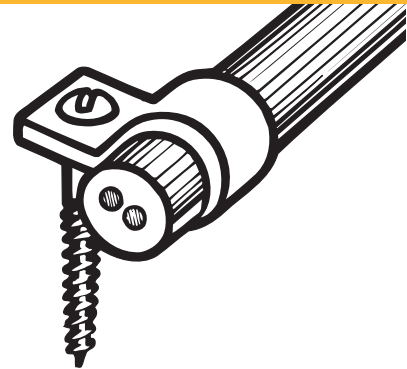
CLAMPS FOR ROUND LEAD

tillex®

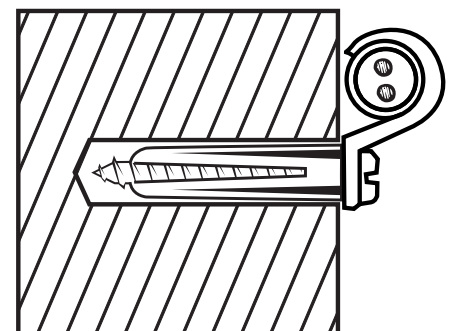
Plastmaterial: High impact elastic polypropylene – halogen free and UV-stabilized.

INSTALLATION

- Suitable for concrete, wood and brick
- Flexible: each size is suitable for several cable sizes.
- For fastening to wood, use wood screws.
- For fastening to concrete and brick, use **Tillex KP plugs** and wood screws.

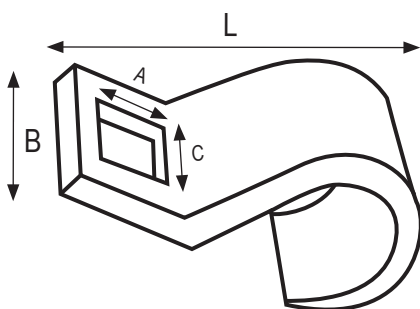


For fastening in wood,
use wood screws



For fastening in concrete and brick,
use Tillex KP plugs and wood
screws

DIMENSIONS



Type/ Cable Ø (mm)	L (mm)	B (mm)	Hole size, AxC, (mm)
B 3-5	15,3	9,3	5,4 x 3,9
B 5-7	17,4	9,4	5,5 x 3,9
B 7-10	20,0	9,5	5,9 x 4,3
B 10-14	24,5	13,3	6,3 x 4,6
B 14-20	31,0	14,0	7,3 x 4,8
B 20-26	45,0	15,5	9,2 x 5,0

PRODUCT RANGE

Type/ Cable Ø (mm)	Colour	Ref. No.	E-no. SE	E-no. NO	E-no. FI	Recommended screw no.	Pieces/Box
B 3-5	white	400025	1504101	1322005	1345043	6	100
B 5-7	white	400045	1504106	1322007	1345044	6	100
B 7-10	white	400070	1504111	1322010	1345045	6	100
B 10-14	white	400100	1504116	1322014	1345046	6-8	100
B 14-20	white	400130	1504121	1322020	1345047	8-10	100
B 20-26	white	400160	1504126	1322026	1345048	8-10	50